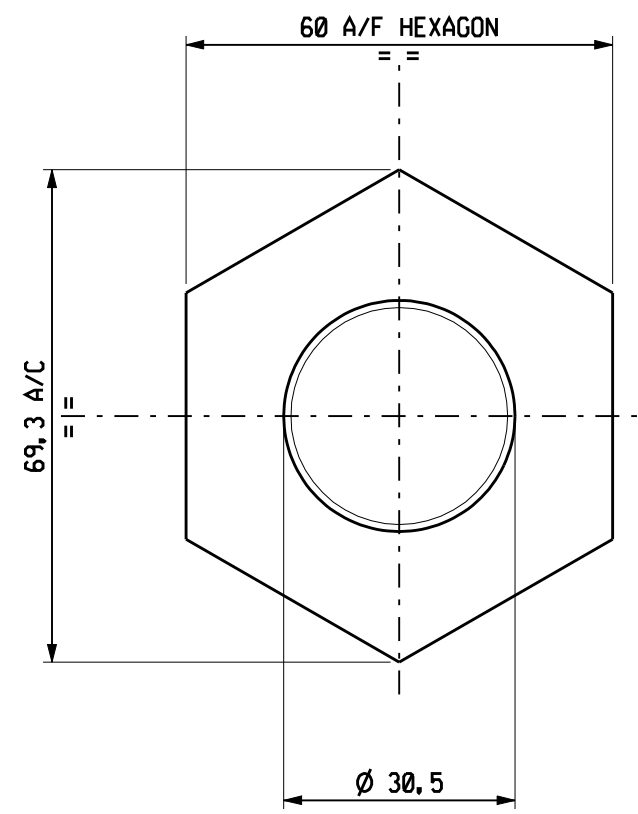
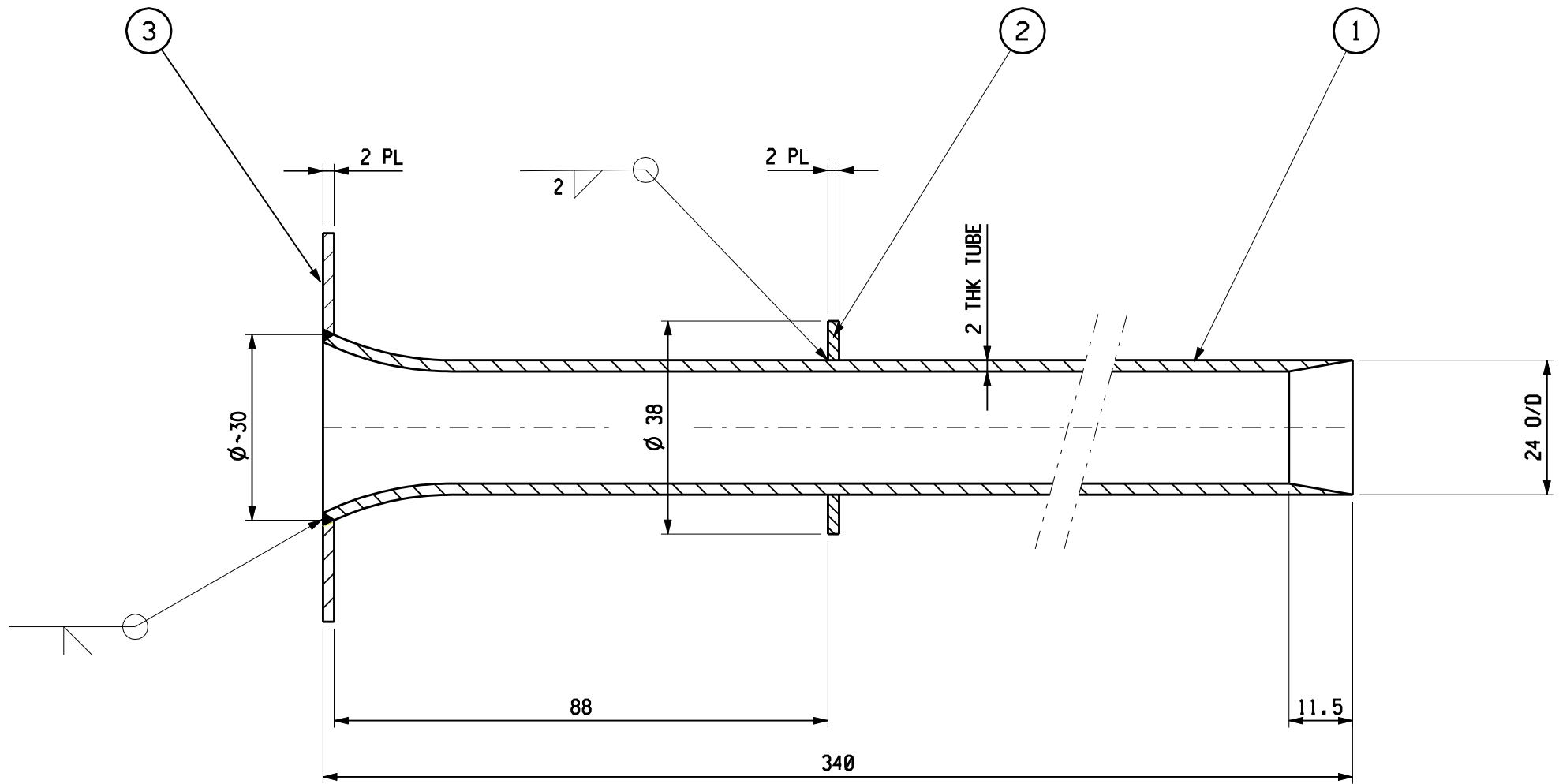


REFERENCE DRAWINGS DESCRIPTION	DRAWING NUMBER
STRUCTURE No'S 06-ES101 & 201 A/B	



NOTE :-
REMOVE SHARP EDGES
INSPECTION GRADE-VISUAL & DIMENSIONAL
660 PER WASTE HEAT BOILER

MATERIAL No:-50035001

3	1	60 A/F HEX x 2 PL	INCOLOY 800 HT
2	1	38 O/D x 25 I/D x 2 PL	
1	1	TUBE 24 O/D x 2 W/T	
ITEM No.	No. OFF	DESCRIPTION	MATERIAL

PRODUCED ON MOSSCAD
NO ORIGINAL AVAILABLE, ALL FUTURE
REVISIONS TO BE DONE ON CAD

DRAWN BY :
DATE : 99/08/25
CHECKED : AC
DATE : 99/08/27

(PROPRIETARY) LIMITED
(EINDOONS) BEPERK
MOSSBAY OPERATIONS

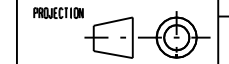
ENGINEER : W NEL
DATE : 99/08/31
APPROVED : F BARTLETT
DATE : 99/09/01

UNIT 06 METHANE REFORMING
06-ES101 & 201 A/B
FERULE FOR NEW WASTE HEAT BOILERS

NOTE: THIS DRAWING HAS NOT BEEN PUBLISHED AND IS THE SOLE PROPERTY OF MOSSGAS (PTY) LIMITED AND IS LOANED TO THE BORROWER FOR HIS CONFIDENTIAL USE ONLY. IN CONSIDERATION OF THE LOAN OF THIS DRAWING THE BORROWER PROMISES AND AGREES TO RETURN IT UPON REQUEST AND AGREES THAT IT SHALL NOT BE REPRODUCED, COPIED, LOANED OR IN ANY MANNER DISPOSED OF DIRECTLY OR INDIRECTLY, NOR USED FOR ANY PURPOSE OTHER THAN FOR WHICH IT IS FURNISHED. COPYRIGHT OF THIS DRAWING IS RESERVED BY MOSSGAS (PTY) LIMITED

SURFACE ROUGHNESS
ISO R400 R_a VALUES
CLEAN UP TO DIMENSION

3.2
1.6
0.8



SCALE	SIZE	PROJECT NUMBER	DRAWING NUMBER	REV.
1:1	A3		D50035001	01

FORMAT E:/DRAWSHTS/A3DRAW.DGN

01	99/08/01	AC	WN	FB	AFC	
REV.	DATE	DRAWN	CHK. DATE	ENG. DATE	APP. DATE	REVISION DESCRIPTION