

**REQUEST FOR QUOTATION FOR PROCUREMENT OF CUSTOM MADE GLASSWARE FOR
RADIONUCLIDE PRODUCTION**

Supplier Name:

GOODS

SERVICE

Request For Quotation Number:	iThemba LABS – RFQ/2019/20:129
Date Issued:	17 January 2019
Description:	Request for Custom Made Glassware for Radionuclide Production – five (5) sets
Closing Date:	23 January 2019
Closing Time:	11:00 am
Delivery Address:	iThemba LABS, ATT: SCM Department, Old Faure Road, Faure, 7131
Submit RFQ To:	scm1@tlabs.ac.za ,
Date Goods or Service Required:	November/December 2019
For More Information (Technical):	Mr. Stuart Dolley Tel: 021 843 1000 Email: stuart@tlabs.ac.za
Payment Terms	30 days from date of invoice
For More Information (Supply Chain Management):	Ms Nombini Biko scm1@tlabs.ac.za

THE FOLLOWING CONDITIONS WILL APPLY:

- **Preferential Procurement System Applicable: 80/20**
- Price(s) quoted must be valid for at **least thirty (30) days from date of your offer.**
- Price(s) quoted must be firm and must be inclusive of VAT.
- A firm delivery period must be indicated.
- **Submit your Original or Certified ORIGINAL B – BBEE Certificate as accredited with SANAS if you are claiming for Equity/ B – BBEE points, failing which, the B – BEEE claimed will be forfeited or zero points will be allocated. (NO Scanned or Email copies will obtain B-BBEE points).**
- Provide CSD Summary Report (www.csd.gov.za)
- The attached forms to be completed by the Bidder:
 - SBD 4 – Declaration of Interest with Government
 - SBD 6.1 – Preference Points Claim (South African Companies Only)
 - SBD 6.2 – Declaration Certificate for Local Production and Content for Designated Sectors (where applicable)
 - SBD – 8 – Declaration of Bidder’s past SCM Practices
 - SBD – 9 – Certificate of Independent Bid Determination
- This request for formal quotation is subject to the Preferential Procurement Policy Framework Act and The Preferential Procurement Regulations, 2017, The General Conditions of Contract (GCC and, if applicable, any other special Conditions of Contract.

REGISTRATION ON THE CENTRAL SUPPLIER DATABASE (CSD):

The bidder must be on the National Treasury’s Central Supplier Database in order to do business with the NRF and for the NRF to award a bid and sign the subsequent contract. Registration on the CSD (www.csd.gov.za) is compulsory and bids from unregistered bidders are not considered.

National Treasury Contact Details: +27 (0) 12 406 9222 or email csd.support@treasury.gov.za

SCHEDULE 1

Introduction to the NRF

The National Research Foundation (“NRF”) is a juristic person established in terms of the National Research Foundation Act, Act 23 of 1998, and a Schedule 3A Public Entity in terms of the Public Finance Management Act. The NRF is the government’s national agency responsible for promoting and supporting research and human capital development through funding researchers, provision of the National Research Platforms, and science outreach platforms/programs to the broader community. The NRF provides these services in all fields of science and technology, including natural science, engineering, social science, and humanities.

Introduction to the Business Unit responsible for this RFQ

iThemba LABS (Laboratory for Accelerator-Based Sciences) is a multi-disciplinary research laboratory based at two sites in the Western Cape and Gauteng respectively, these provide facilities for:

- Basic and applied nuclear physics research using particle beams
- Research Radiation Biophysics
- The supply of accelerator-produced radioactive isotopes for nuclear medicine and research

Evaluation Process

- Evaluation of proposals:

Evaluation Process

All proposals will be evaluated by Supply Chain Management for administrative compliance, functionality, price and B-BBEE. Based on the results of the evaluation process and upon successful negotiations, iThemba LABS will approve the awarding of the contract to successful bidder.

- Preference points system:

The 80/20 preference point system will be used where 80 points will be dedicated to price and 20 points to B-BBEE status. If all bid proposals received are more than R500k, the proposal will be cancelled and re-issued.

Supplier Response

Name of Supplier:	
Address of Supplier:	
Contact Person:	
Contact Tel:	
Email Address:	
CSD Supplier Number:	MAAA.....
Currency:	ZAR
Estimated duration of the projects (in days)	
Payment Terms:	30 Days from date of Invoice

SPECIFICATIONS AND REQUIREMENTS:

The request is for five (5) sets of PART 1- 3:

Quotations for alternative brands that adhere to the same specifications are welcomed.

SUMMARY OF MODIFICATIONS	
PART 1	Modification of Quickfit 3-Neck 1000 ml Round-Bottom Flask
	Glass Stopper for modified center-joint (60/46) of the Round-Bottom Flask
PART 2	Modification of Quickfit Double-Surface (Davies) Condenser and permanent weld - Top
	Modification of Quickfit Double-Surface (Davies) Condenser and permanent weld - Bottom
	Cone Connection for 100 ml Liquid Trap for Bottom of condenser
PART 3	Modification of Quickfit Bottle Heads (with Porosity 1 sinter thimble) + Quickfit Dreschel Bottle (250 ml): Lengthen Stem
	Modification of Quickfit Bottle Heads (with Porosity 1 sinter thimble) + Quickfit Dreschel Bottle (250 ml): Add two side tubes
	Permanent weld of bottle head and bottle

Part 1: Modification of Quickfit 3-Neck 1000 ml Round-Bottom Flask with angled necks (Center-joint ST/NS 24/29 and side joints ST/NS 19/26 (see Figure 1)



Figure 1 3-neck 1000 ml round-bottom flask

MODIFICATIONS:



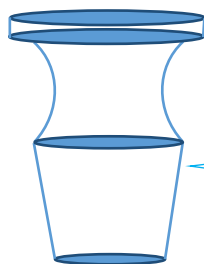
Modification The center neck joint must be converted to 60/46 . The connection to the flask can be 2.5 - 3 cm.

Modification One of the side neck's must be changed to a simple tube with diameter 0.9 – 1.1 cm and length 2.5 – 3 cm

Figure 2 Modifications on 3-neck round-bottom flask

ADDITION:

Glass Stopper for modified center-joint (60/46) of the round-bottom flask



Ground Glass Stopper for center-joint of round-bottom (60/46). Diameter of top of Stopper, 5.6 – 6 cm. Length of connecting body to ground joint 3.6 - 4 cm.

Part 2: Modification of Quickfit Double-Surface (Davies) Condenser (length 150 mm and to/bottom joints ST/NS 19/26 (see Figure 3))



MODIFICATIONS:

- (1) Top of condenser: The adapter shown below must be welded to the top of Davies condenser with an open ST/NS 19/26 joint socket for connection to the round-bottom flask (**this requires manufacture**). The coolant inlet and outlet must be perpendicular to the adapter which will face left toward the round-bottom flask. See (Figure 3).

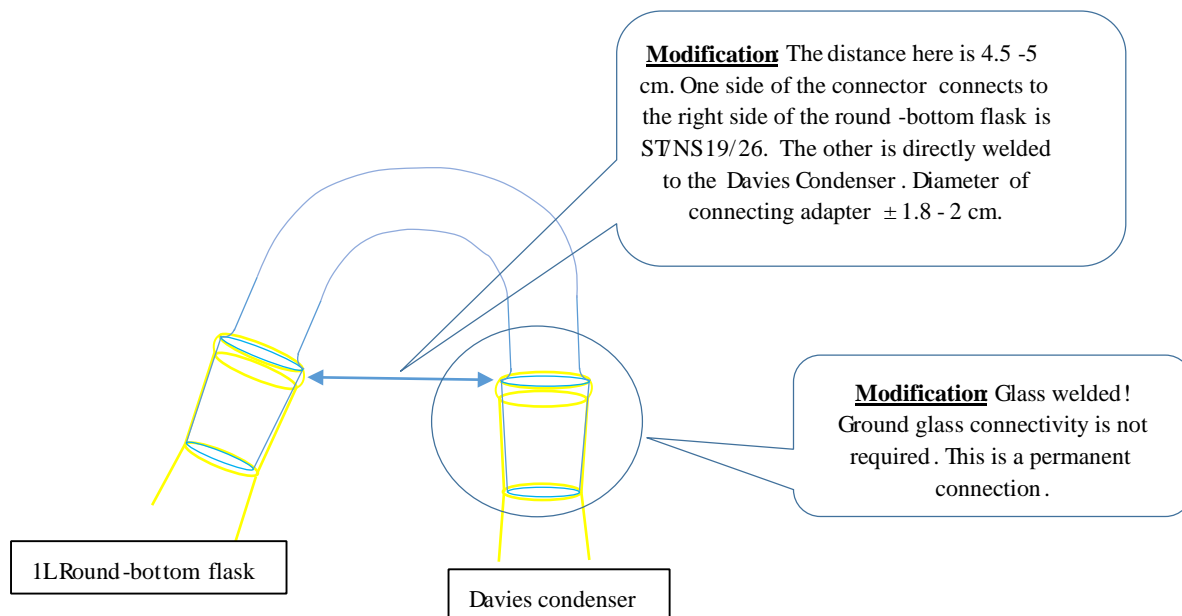
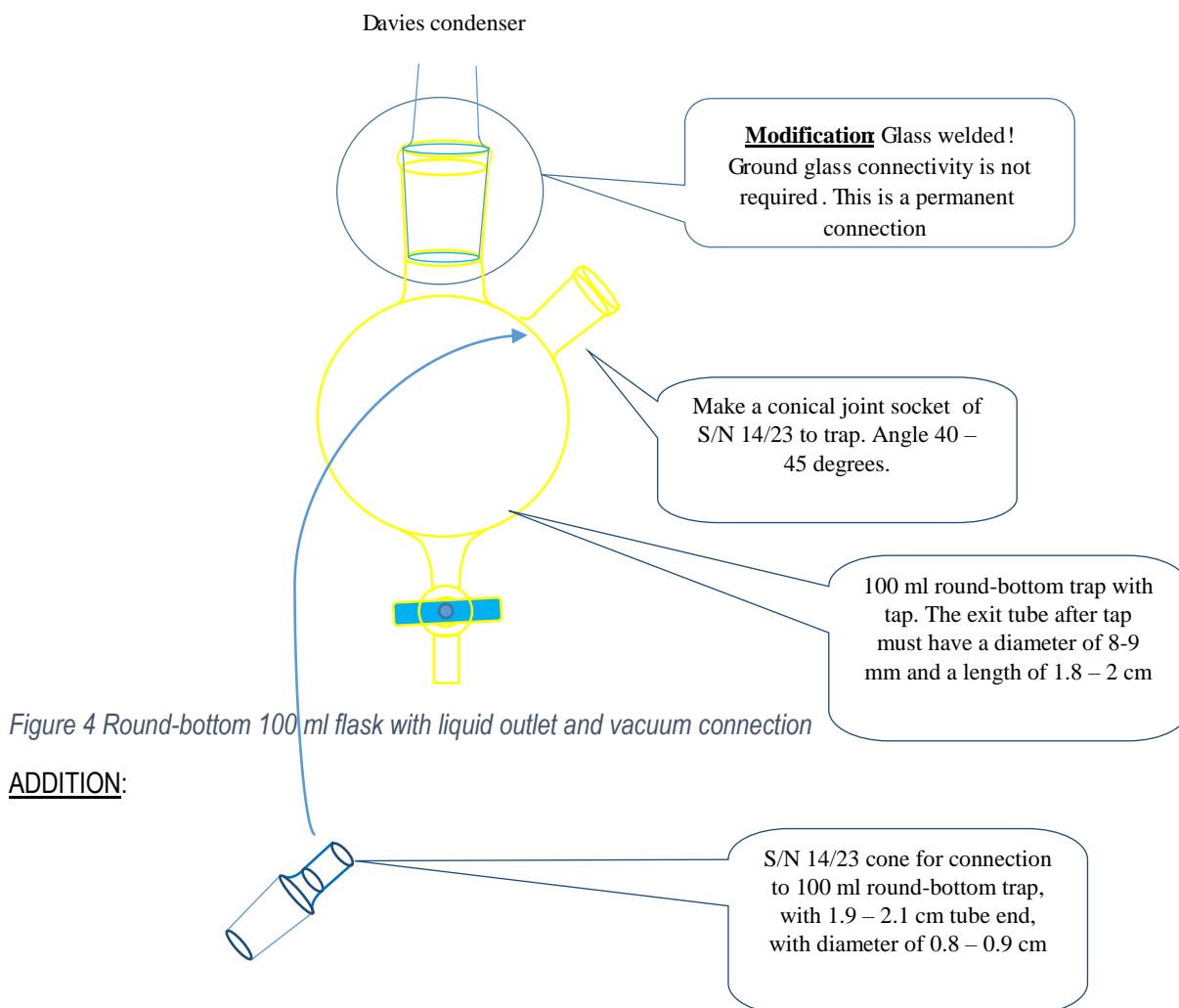
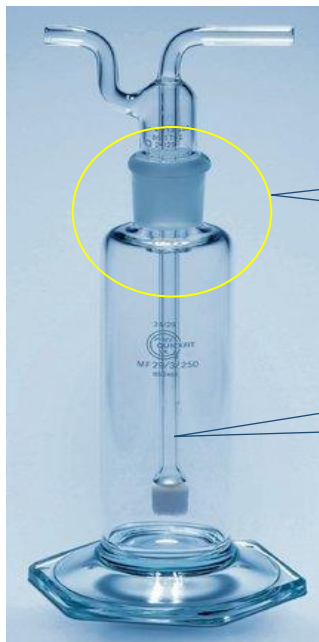


Figure 3 Adapter connecting to top of Davies Condenser

- (2) Bottom of condenser: Round-bottom (100 ml) liquid trap is welded to bottom of Davies condenser (Figure 4).



Part 3: Modification of Quickfit Bottle Heads (with Porosity 1 sinter thimble) + Quickfit Dreschel Bottle (250 ml) (see Figure 5 and 6)

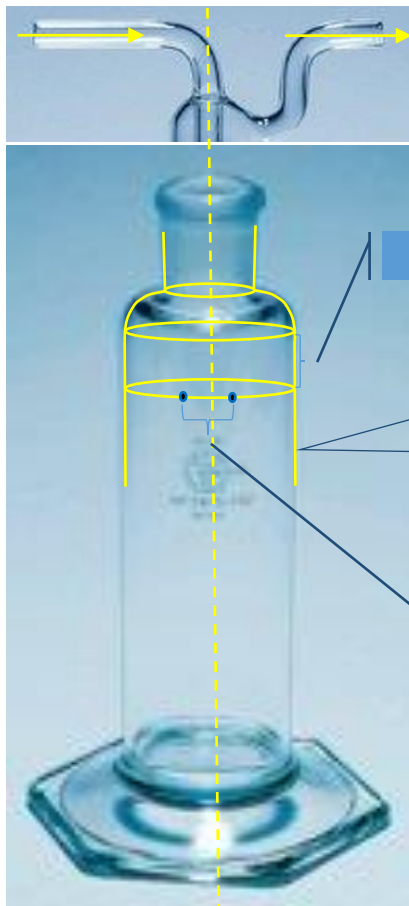


Modification: Glass welded.

Ground glass connectivity is not required between the bottle and head. This is a permanent connection

Modification: The stem must be extended so that the sinter thimble is ± 1 cm from the bottom of the bottle

Figure 5 Modification of Quickfit Bottle Head



Modification: Two side tubes of length 2.0 - 2.2 cm and inner diameter of 1.0 - 1.5 mm, must be welded 1.8 - 2 cm from the top end of curvature of the bottle. These tubes are perpendicular to the sintered glass stem and orientated as shown in relation the sintered head. That is, left-hand is air IN through the sinter and right-hand side is air OUT - where the vacuum is connected

2.8 - 3.0 cm

2.3-2.5 cm

Figure 6 Modification of Dreschel 250 ml Bottle

ADDITIONAL IMAGES:

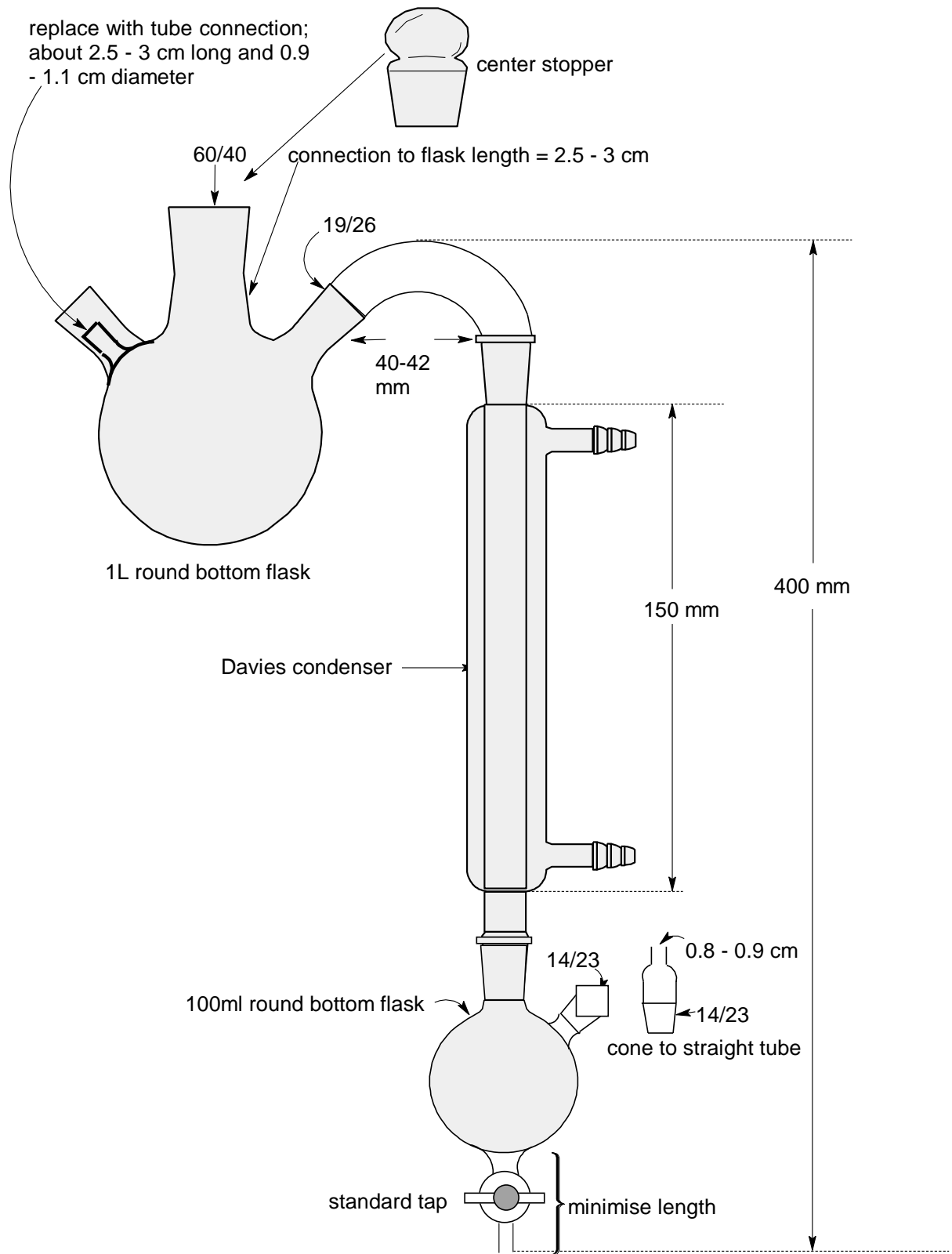


Figure 7 Complete Dissolution System



Figure 8 Image of 1L Round-Bottom Flask and Top of Davies Condenser

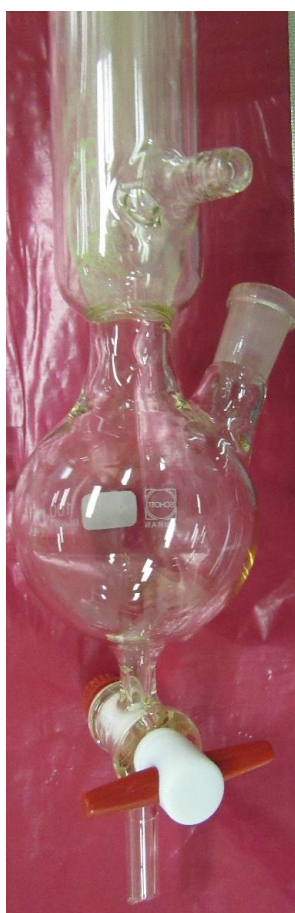


Figure 9 Image of bottom of Davies Condenser to 100 ml trap

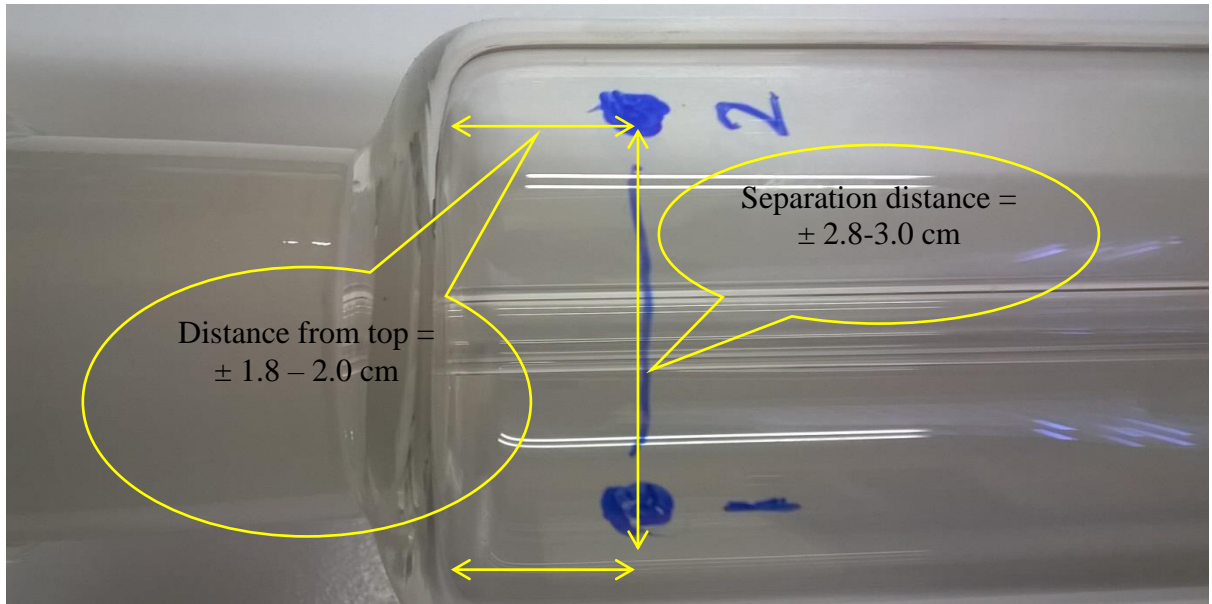


Figure 10 Image of Dreschel Bottle with tube positions

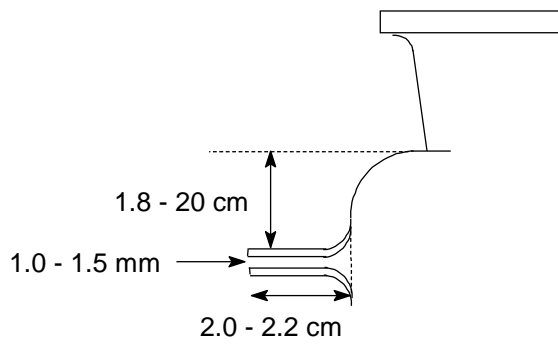


Figure 11 Drawing of a tube in the Dreschel Bottle

PRICING SCHEDULE			
Supplier Specifications include Brand/Model if applicable	Quantity	Price Per Unit (Incl. VAT)	Total (Incl. VAT)
TOTAL			

SBD 4 - DECLARATION OF INTEREST WITH GOVERNMENT

Any legal person, including persons employed by the STATE ¹, or persons having a kinship with persons employed by the STATE, including a blood relationship, may make an offer or offers in terms of this invitation to Bid (includes an advertised competitive Bid, a limited Bid, a proposal or written price quotation). In view of possible allegations of favouritism, should the resulting Bid, or part thereof, be awarded to persons employed by the STATE, or to persons connected with or related to them, it is required that the Bidder or his/her authorised representative, declare his/her position in relation to the evaluating/adjudicating authority where:

The Bidder is employed by the STATE; and/or

The legal person on whose behalf the Bidding Document is signed, has a relationship with persons/s person who is/are involved in the evaluation and or adjudication of the Bid(s), or where it is known that such a relationship exists between the person or persons for or on whose behalf the declarant acts and persons who are involved with the evaluation and/or adjudication of the Bid.

In order to give effect to the above, the following questionnaire must be completed and submitted with this Bid:

Full Name of Bidder or his/her representative:

Identity Number:

Position occupied in the Company (director, trustee, shareholder, member):

Registration number of company, enterprise, close corporation, partnership agreement:

Tax Reference Number:

VAT Registration Number:

The names of all directors/trustees/shareholders/members, their individual identity numbers, tax reference numbers and, if applicable, employee/PERSAL numbers must be indicated in a separate schedule including the following questions:

Schedule attached with the above details for all directors/members/shareholders

Are you or any person connected with the Bidder presently employed by the STATE? If so, furnish the following particulars in an attached schedule	YES / NO
---	----------

Name of person/ director/ trustee/ shareholder/member:

Name of STATE institution at which you or the person connected to the Bidder is employed

Position occupied in the STATE institution:	
Any other particulars:	
If you are presently employed by the STATE, did you obtain the appropriate authority to undertake remunerative work outside employment in the public sector?	YES / NO
If Yes, did you attach proof of such authority to the Bid document?	
If No, furnish reasons for non-submission of such proof as an attached schedule	
(Note: Failure to submit proof of such authority, where applicable, may result in the disqualification of the Bid.)	
Did you or your spouse or any of the company's directors/ trustees /shareholders /members or their spouses conduct business with the STATE in the previous twelve months?	YES / NO
If so, furnish particulars as an attached schedule:	
Do you, or any person connected with the Bidder, have any relationship (family, friend, other) with a person employed by the STATE and who may be involved with the evaluation and or adjudication of this Bid?	YES / NO
If so, furnish particulars as an attached schedule.	
Do you or any of the directors/ trustees/ shareholders/ members of the company have any interest in any other related companies whether or not they are bidding for this contract?	YES / NO
If so, furnish particulars as an attached schedule:	

PREFERENCE POINTS CLAIMED (SBD 6.1)

PREFERENCE POINTS CLAIM FORM IN TERMS OF THE PREFERENTIAL PROCUREMENT REGULATIONS 2017	
This preference form must form part of all bids invited. It contains general information and serves as a claim form for preference points for Broad-Based Black Economic Empowerment (B-BBEE) Status Level of Contribution NB: BEFORE COMPLETING THIS FORM, BIDDERS MUST STUDY THE GENERAL CONDITIONS, DEFINITIONS, AND DIRECTIVES APPLICABLE IN RESPECT OF B-BBEE, AS PRESCRIBED IN THE PREFERENTIAL PROCUREMENT REGULATIONS, 2017.	
1. GENERAL CONDITIONS	
1.1.	The following preference point systems are applicable to all bids: <ul style="list-style-type: none"> 1.1.1. the 80/20 system for requirements with a Rand value of up to R50 000 000 (all applicable taxes included); and

1.1.2. the 90/10 system for requirements with a Rand value above R50 000 000 (all applicable taxes included).

1.2.

1.2.1. The value of this bid is estimated not exceed R50 000 000 (all applicable taxes included) and therefore the 80/20 preference point system shall be applicable

1.2.2. the 80/20 preference point system will be applicable to this tender

1.3. Points for this bid shall be awarded for:

1.3.1. Price; and

1.3.2. B-BBEE Status Level of Contributor.

1.4. The maximum points for this bid are allocated as follows:

	POINTS
PRICE	80
B-BBEE STATUS LEVEL OF CONTRIBUTION	20
Total points for Price and B-BBEE must not exceed	100

1.5. Failure on the part of a bidder to submit proof of B-BBEE Status level of contributor together with the bid, will be interpreted to mean that preference points for B-BBEE status level of contribution are not claimed.

1.6. The purchaser reserves the right to require of a bidder, either before a bid is adjudicated or at any time subsequently, to substantiate any claim in regard to preferences, in any manner required by the purchaser.

2. DEFINITIONS

2.1. **"B-BBEE"** means broad-based black economic empowerment as defined in section 1 of the Broad-Based Black Economic Empowerment Act;

2.2. **"B-BBEE status level of contributor"** means the B-BBEE status of an entity in terms of a code of good practice on black economic empowerment, issued in terms of section 9(1) of the Broad-Based Black Economic Empowerment Act;

2.3. **"bid"** means a written offer in a prescribed or stipulated form in response to an invitation by an organ of state for the provision of goods or services, through price quotations, advertised competitive bidding processes or proposals;

2.4. **"Broad-Based Black Economic Empowerment Act"** means the Broad-Based Black Economic Empowerment Act, 2003 (Act No. 53 of 2003);

2.5. **"EME"** means an Exempted Micro Enterprise in terms of a code of good practice on black economic empowerment issued in terms of section 9 (1) of the Broad-Based Black Economic Empowerment Act;

2.6. “functionality” means the ability of a tenderer to provide goods or services in accordance with specifications as set out in the tender documents.

2.7. “prices” includes all applicable taxes less all unconditional discounts;

2.8. “proof of B-BBEE status level of contributor” means:

2.8.1. B-BBEE Status level certificate issued by an authorized body or person;

2.8.2. A sworn affidavit as prescribed by the B-BBEE Codes of Good Practice;

2.8.3. Any other requirement prescribed in terms of the B-BBEE Act;

2.9. “QSE” means a qualifying small business enterprise in terms of a code of good practice on black economic empowerment issued in terms of section 9 (1) of the Broad-Based Black Economic Empowerment Act;

2.10. “rand value” means the total estimated value of a contract in Rand, calculated at the time of bid invitation, and includes all applicable taxes;

3. POINTS AWARDED FOR PRICE

3.1. THE 80/20 OR 90/10 PREFERENCE POINT SYSTEMS

A maximum of 80 or 90 points is allocated for price on the following basis:

$$P_s = 80 \left(1 - \frac{P_t - P_{\min}}{P_{\min}} \right) \quad \text{or} \quad P_s = 90 \left(1 - \frac{P_t - P_{\min}}{P_{\min}} \right)$$

Where

Ps = Points scored for price of bid under consideration
 Pt = Price of bid under consideration
 Pmin = Price of lowest acceptable bid

4. POINTS AWARDED FOR B-BBEE STATUS LEVEL OF CONTRIBUTOR

4.1. In terms of Regulation 6 (2) and 7 (2) of the Preferential Procurement Regulations, preference points must be awarded to a bidder for attaining the B-BBEE status level of contribution in accordance with the table below:

B-BBEE Status Level of Contributor	Number of points (90/10 system)	Number of points (80/20 system)
1	10	20
2	9	18
3	6	14
4	5	12
5	4	8
6	3	6
7	2	4
8	1	2

Non-compliant contributor	0	0
---------------------------	---	---

5. BID DECLARATION

5.1. Bidders who claim points in respect of B-BBEE Status Level of Contribution must complete the following:

6. B-BBEE STATUS LEVEL OF CONTRIBUTOR CLAIMED IN TERMS OF PARAGRAPHS 1.4 AND 4.1

6.1. B-BBEE Status Level of Contributor: . =(maximum of 10 or 20 points)

(Points claimed in respect of paragraph 7.1 must be in accordance with the table reflected in paragraph 4.1 and must be substantiated by relevant proof of B-BBEE status level of contributor.

7. SUB-CONTRACTING

7.1. Will any portion of the contract be sub-contracted?

(Tick applicable box)

YES		NO	
-----	--	----	--

7.1.1. If yes, indicate:

7.1.1.1. What percentage of the contract will be subcontracted.....%

7.1.1.2. The name of the sub-contractor.....

7.1.1.3. The B-BBEE status level of the sub-contractor.....

7.1.1.4. Whether the sub-contractor is an EME or QSE

(Tick applicable box)

YES		NO	
-----	--	----	--

7.1.1.5. Specify, by ticking the appropriate box, if subcontracting with an enterprise in terms of Preferential Procurement Regulations, 2017:

Designated Group: An EME or QSE which is at least 51% owned by:	EME	QSE
	√	√
Black people		
Black people who are youth		
Black people who are women		
Black people with disabilities		
Black people living in rural or underdeveloped areas or townships		
Cooperative owned by black people		
Black people who are military veterans		
OR		
Any EME		
Any QSE		

8. DECLARATION WITH REGARD TO COMPANY/FIRM

8.1. Name of company/firm:

8.2. VAT registration number:

8.3. Company registration number :.....

8.4. TYPE OF COMPANY/ FIRM

- Partnership/Joint Venture / Consortium
- One person business/sole propriety
- Close corporation
- Company
- (Pty) Limited

[TICK APPLICABLE BOX]

8.5. DESCRIBE PRINCIPAL BUSINESS ACTIVITIES

.....
.....
.....
.....

8.6. COMPANY CLASSIFICATION

- Manufacturer
- Supplier
- Professional service provider
- Other service providers, e.g. transporter, etc.

[TICK APPLICABLE BOX]

8.7. Total number of years the company/firm has been in business:

8.8. I/we, the undersigned, who is / are duly authorised to do so on behalf of the company/firm, certify that the points claimed, based on the B-BBEE status level of contributor indicated in paragraphs 1.4 and 6.1 of the foregoing certificate, qualifies the company/ firm for the preference(s) shown and I / we acknowledge that:

8.8.1. The information furnished is true and correct;

8.8.2. The preference points claimed are in accordance with the General Conditions as indicated in paragraph 1 of this form;

8.8.3. In the event of a contract being awarded as a result of points claimed as shown in paragraphs 1.4 and 6.1, the contractor may be required to furnish documentary proof to the satisfaction of the purchaser that the claims are correct;

8.8.4. If the B-BBEE status level of contributor has been claimed or obtained on a fraudulent basis or any of the conditions of contract have not been fulfilled, the purchaser may, in addition to any other remedy it may have –

8.8.4.1. disqualify the person from the bidding process;

<p>8.8.4.2. recover costs, losses or damages it has incurred or suffered as a result of that person's conduct;</p> <p>8.8.4.3. cancel the contract and claim any damages which it has suffered as a result of having to make less favourable arrangements due to such cancellation;</p> <p>8.8.4.4. recommend that the bidder or contractor, its shareholders and directors, or only the shareholders and directors who acted on a fraudulent basis, be restricted by the National Treasury from obtaining business from any organ of state for a period not exceeding 10 years, after the audi alteram partem (hear the other side) rule has been applied; and</p> <p>8.8.4.5. forward the matter for criminal prosecution.</p>
--

SBD 8 - DECLARATION OF BIDDER'S PAST SCM PRACTICES

Is the Bidder or any of its directors listed on the National Treasury's Database of Restricted Suppliers as companies or persons prohibited from doing business with the public sector? If Yes, furnish particulars as an attached schedule:	YES / NO
Is the Bidder or any of its directors listed on the Register for Tender Defaulters in terms of Section 29 of the Prevention and Combating of Corrupt Activities Act (No 12 of 2004)? If Yes, furnish particulars as an attached schedule:	YES / NO
Was the Bidder or any of its directors convicted by a court of law (including a court outside of the Republic of South Africa) for fraud or corruption during the past five years? If Yes, furnish particulars as an attached schedule:	YES / NO
Was any contract between the Bidder and any NRF terminated during the past five years because of failure to perform on or comply with the contract? If Yes, furnish particulars as an attached schedule:	YES / NO
The Database of Restricted Suppliers and Register for Tender Defaulters resides on the National Treasury's website (www.treasury.gov.za) and can be accessed by clicking on its link at the bottom of the home page.	

SBD 9: CERTIFICATE OF INDEPENDENT BID DETERMINATION

I, the undersigned, in submitting this Bid in response to the invitation for the Bid made by the NRF, do hereby make the following statements that I certify to be true and complete in every respect:	
I have read and I understand the contents of this Certificate;	
I understand that the Bid will be disqualified if this Certificate is found not to be true and complete in every respect;	
I am authorised by the Bidder to sign this Certificate, and to submit the Bid, on behalf of the Bidder;	
Each person whose signature appears on the Bid has been authorised by the Bidder to determine the terms of, and to sign, the Bid on behalf of the Bidder;	
For the purposes of this Certificate and the accompanying Bid, I understand that the word "competitor" shall include any individual or organisation, other than the Bidder, whether or not affiliated with the Bidder, who:	
<ul style="list-style-type: none"> a) Has been requested to submit a Bid in response to this Bid invitation; b) Could potentially submit a Bid in response to this Bid invitation, based on their qualifications, abilities or experience; and c) Provides the same goods and services as the Bidder and/or is in the same line of business as the Bidder 	
The Bidder has arrived at the accompanying Bid independently from, and without consultation, communication, agreement, or arrangement with any competitor. However, communication between partners in a joint venture or	

<p>consortium ³ will not be construed as collusive bidding.</p>
<p>In particular, without limiting the generality of paragraphs above, there has been no consultation, communication, agreement or arrangement with any competitor regarding:</p> <ul style="list-style-type: none"> a) Prices; b) Geographical area where product or service will be rendered (market allocation); c) Methods, factors or formulas used to calculate prices; d) The intention or decision to submit or not to submit, a Bid; e) The submission of a Bid which does not meet the specifications and conditions of the Bid; or f) Bidding with the intention not to win the Bid.
<p>In addition, there have been no consultations, communications, agreements, or arrangements with any competitor regarding the quality, quantity, specifications and conditions or delivery particulars of the products or services to which this Bid invitation relates.</p>
<p>The terms of this Bid have not been, and will not be, disclosed by the Bidder, directly or indirectly, to any competitor, prior to the date and time of the official Bid opening or of the awarding the bid or to the signing of the contract.</p>
<p>I am aware that, in addition and without prejudice to any other remedy provided to combat any restrictive practices related to Bids and contracts, Bids that are suspicious will be reported to the Competition Commission for investigation and possible imposition of administrative penalties in terms of Section 59 of the Competition Act No 89 of 1998 and or may be reported to the National Prosecuting Authority (NPA) for criminal investigation and or may be restricted from conducting business with the public sector for a period not exceeding ten (10) years in terms of the Prevention and Combating of Corrupt Activities Act No 12 of 2004 or any other applicable legislation</p>
<p>³ Joint venture or Consortium means an association of persons for the purpose of combining their expertise, property, capital, efforts, skill and knowledge in an activity for the execution of</p>

By signing this request for order form the supplier offers to supply the goods or service in respect of **RFQ and Description** of goods or services

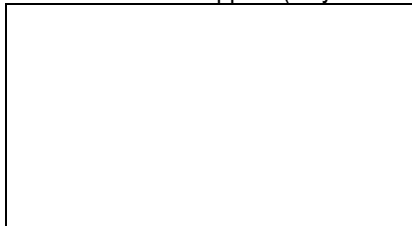
_____, as described in this document.

Signature

Date

Print name: _____

On Behalf of the Supplier (duly authorized)



COMPANY STAMP Note: It is advised that documents be returned in PDF